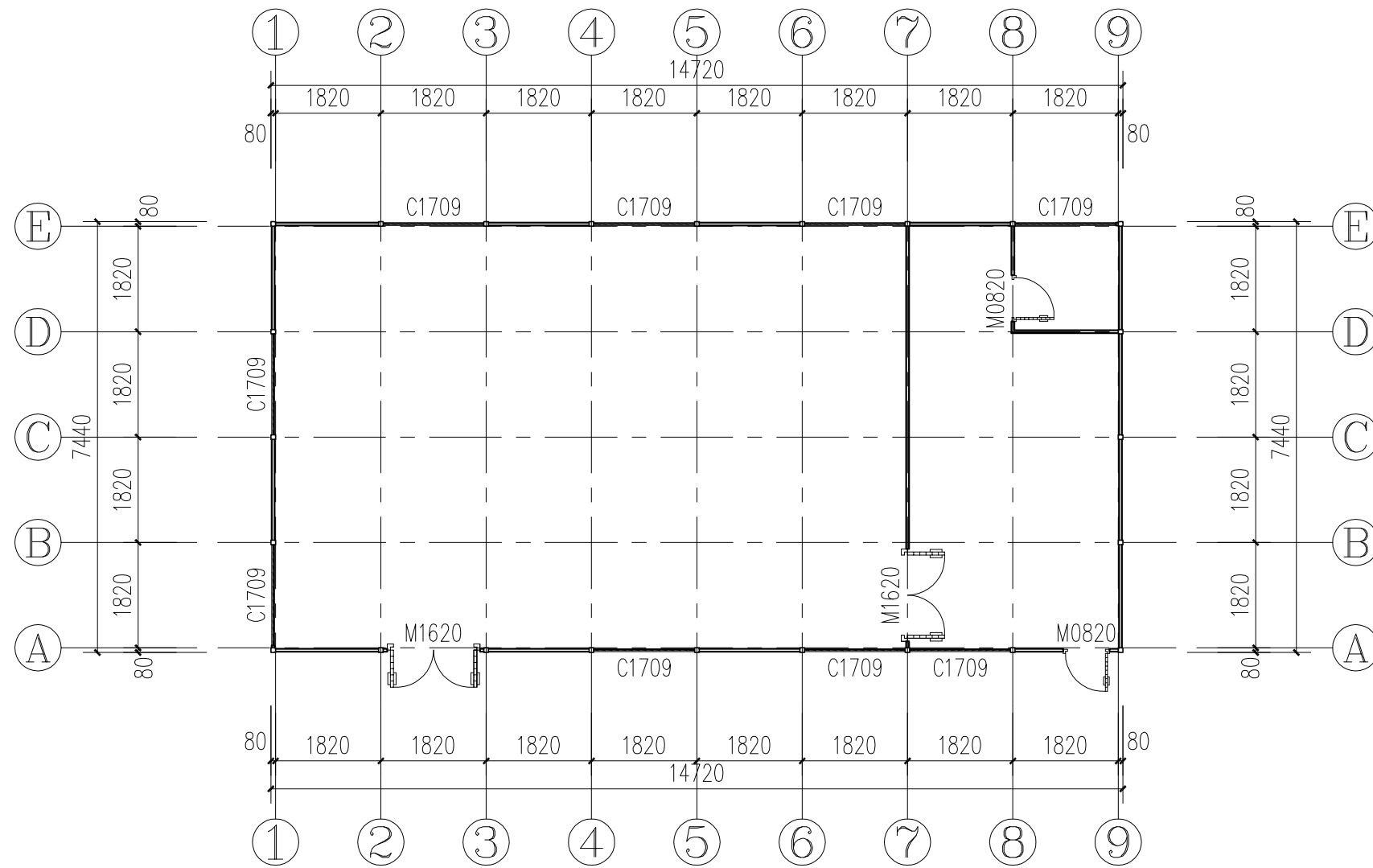



Architecture	H.V.AC.
Construction	Water Supply
A.C. (Electrics)	Drainage
D.C. (Electrics)	Automatic



Floor Plan

Door & Window

Type	No.	Size(mm)	QTY	Remark
Door	M0820	800X2000	2	
	M1620	1600X2000	2	
Window	C1709	1740X925	9	

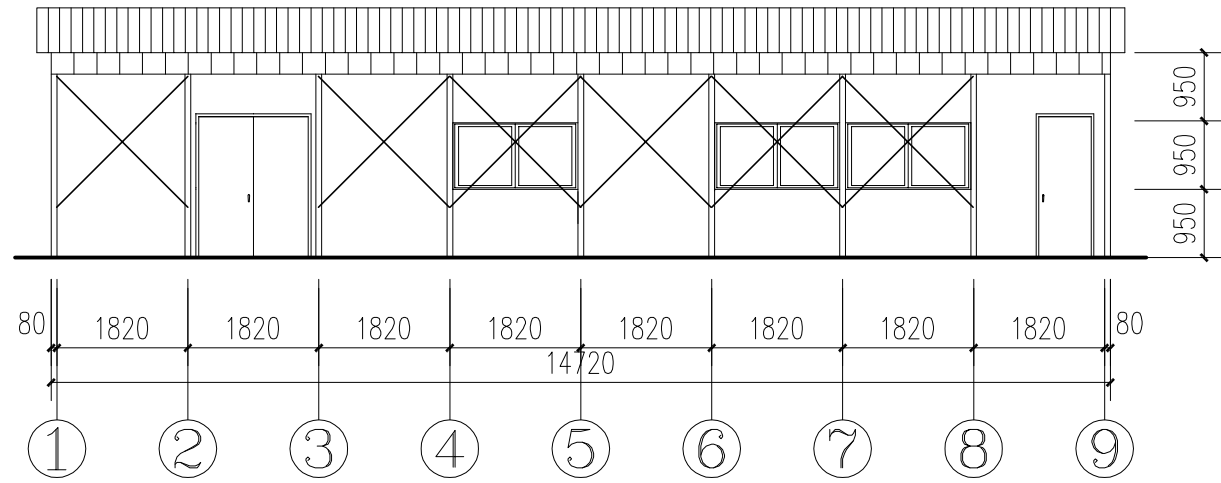
	Approve		Project	
	Auditing		Title	Floor Plan
	Design			
	Check		Job No.	20170912-2
Contact		Drawing No.	J-01	
Tel:		Date	2017-09-12	

Add:

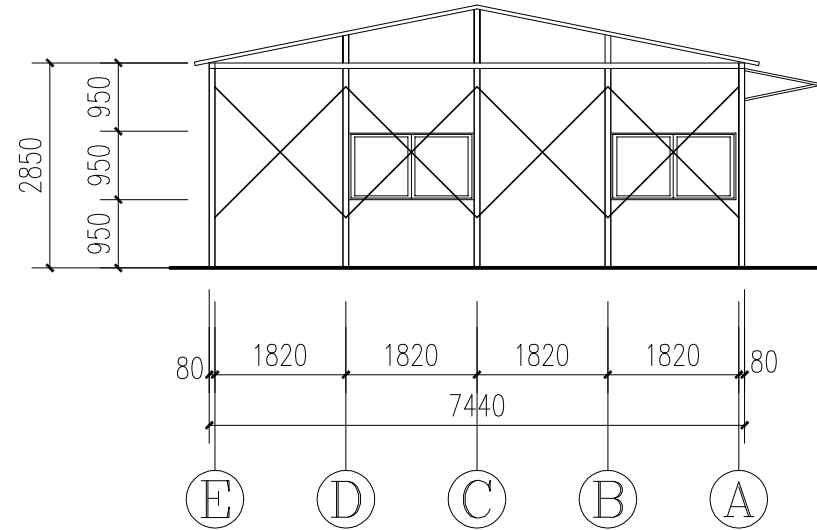
Tel :

Fax :

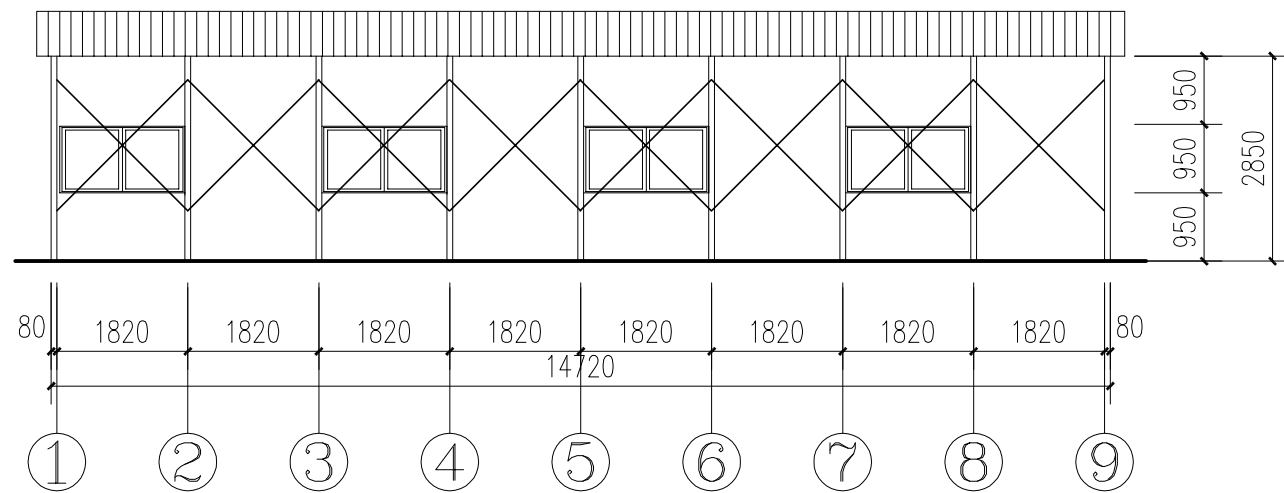
H.V.A.C.	Architecture
Water Supply	Construction
Drainage	A.C. (Electrics)
Automatic	D.C. (Electrics)



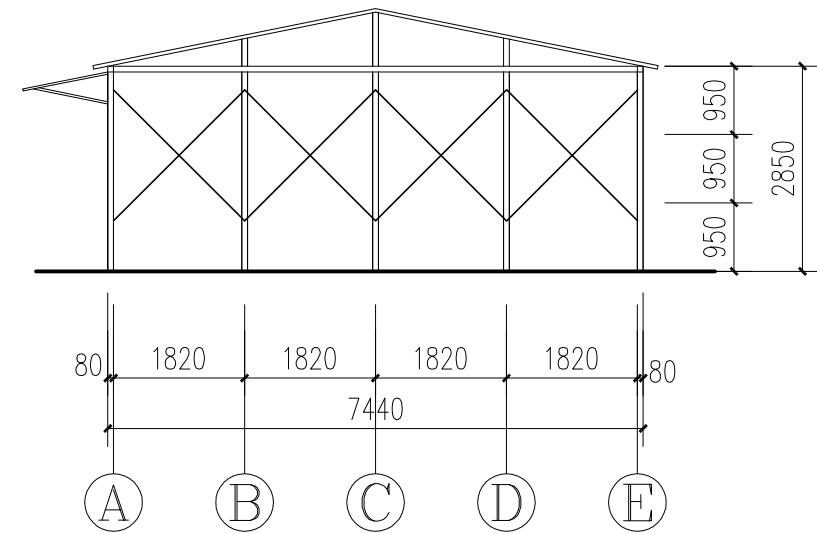
Front Elevation




Left Elevation



Back Elevation



Right Elevation

 <b>MODULBOX</b> Soluciones de espacio	Approve		Project		
	Auditing		Title	Elevation	
	Design				
	Contact		Job No.	20170912-2	
Tel:		Check		Drawing No.	J-02
				Date	2017-09-12

Add:

Tel:

Fax: