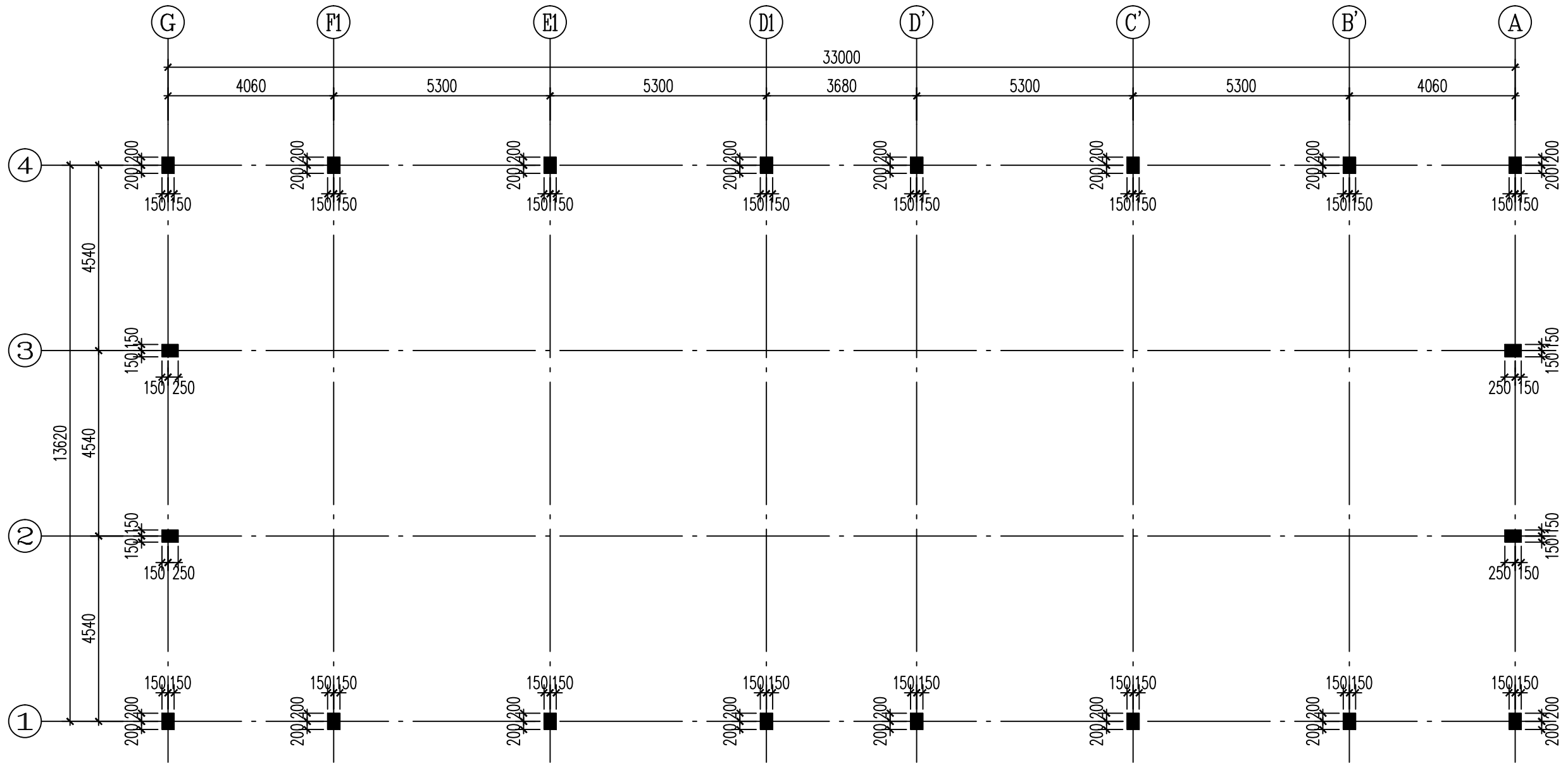


Note:  
 Builder is responsible to check and verify all dimensions and details on site prior to commencement of any works or preparation of shop drawings. Report any discrepancies to the building designer and obtain a ruling before proceeding with works.

DETAIL	DATE

Description:



COLUMN PLAN



Address: Homero 219 Piso 3-A Col. Polanco V  
 Seccion Delegacion Miguel Hidalgo Mexico D.F.  
 CP. 11560  
 Telephone: +52-(55) 50353319  
 Website: www.modulbox.com.mx

Project:  
 Site:

Drawing: Sheet No:

Design: Check: Charged By:

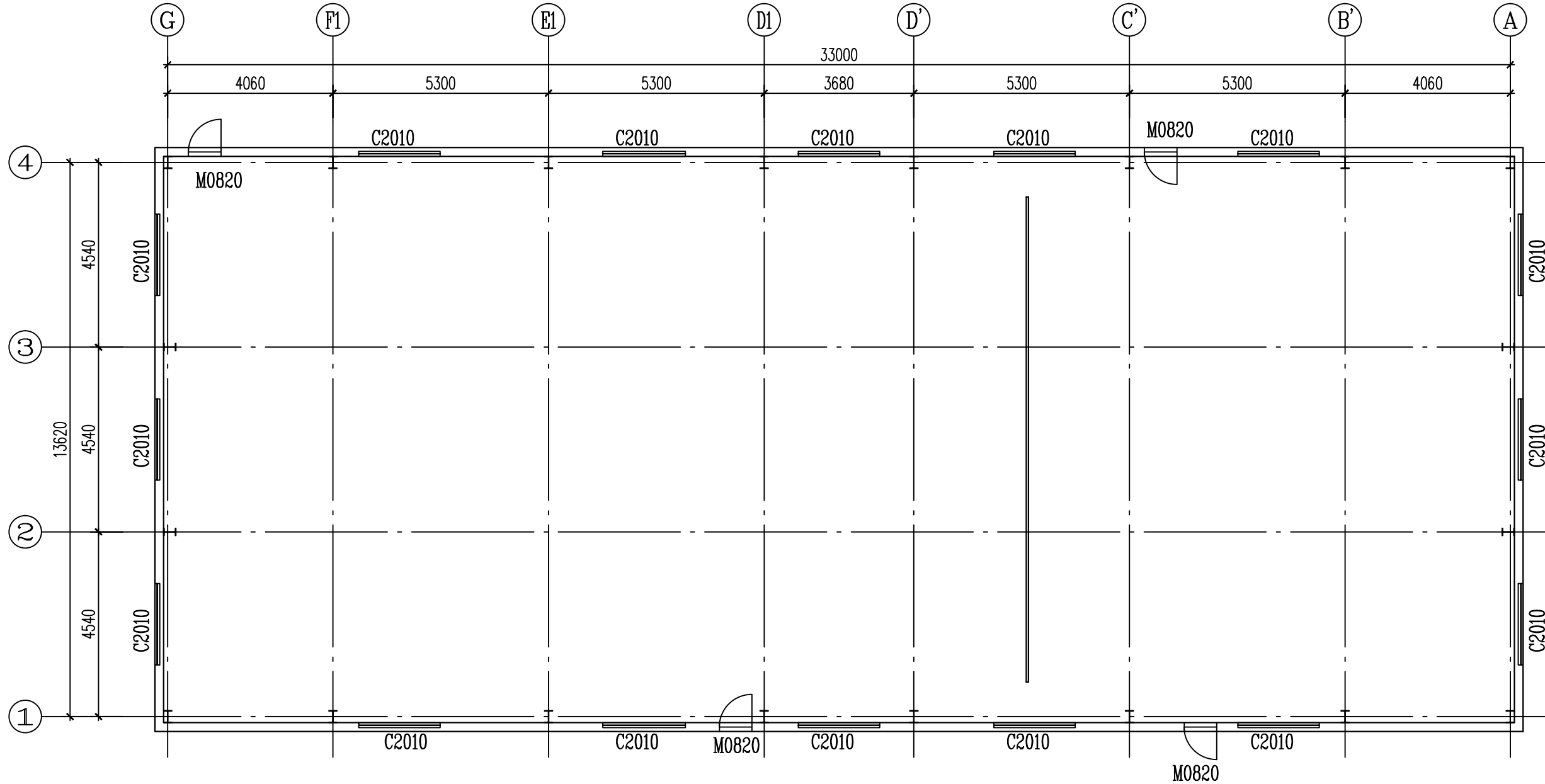
Date: Scale: Job No:

© The Copyright of these plans & attached specification remain the property of Impulsora Integral Veracruz SA de CV Limited & must not be reused, amended or copied without permission.

Note:  
 Builder is responsible to check and verify all dimensions and details on site prior to commencement of any works or preparation of shop drawings. Report any discrepancies to the building designer and obtain a ruling before proceeding with works.

DETAIL	DATE

Description:



FLOOR PLAN



Address: Homero 219 Piso 3-A Col. Polanco V  
 Seccion Delegacion Miguel Hidalgo Mexico D.F.  
 CP. 11560  
 Telephone: +52-(55) 50353319  
 Website: www.modulbox.com.mx

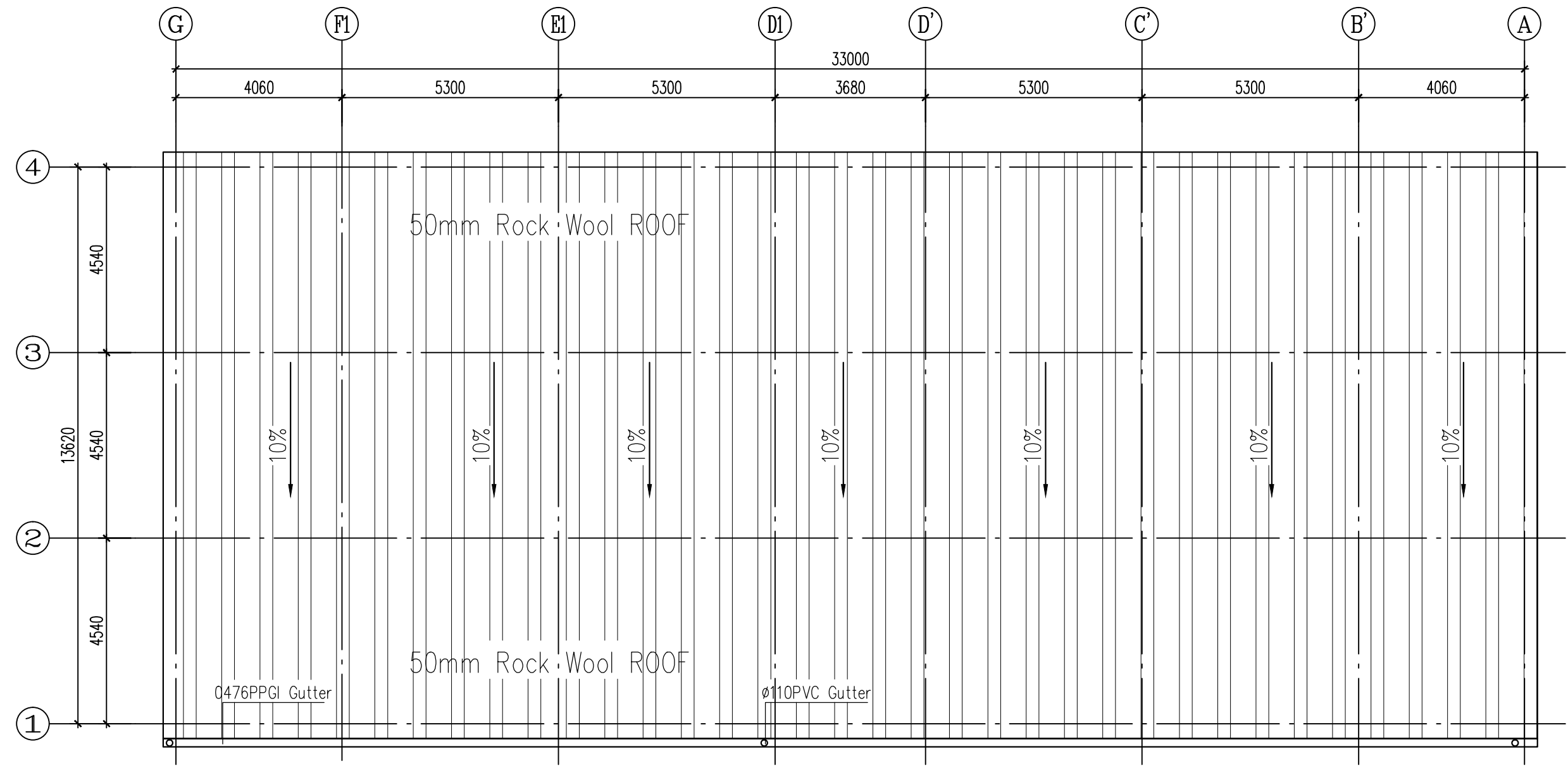
Project:		
Site:		
Drawing:	Sheet No:	
Design:	Check:	Charged By:
Date:	Scale:	Job No:

© The Copyright of these plans & attached specification remain the property of Impulsora Integral Veracruz SA de CV Limited & must not be reused, amended or copied without permission.

Note:  
 Builder is responsible to check and verify all dimensions and details on site prior to commencement of any works or preparation of shop drawings. Report any discrepancies to the building designer and obtain a ruling before proceeding with works.

DETAIL	DATE

Description:



ROOF PLAN



Address: Homero 219 Piso 3-A Col. Polanco V  
 Seccion Delegacion Miguel Hidalgo Mexico D.F.  
 CP. 11560  
 Telephone: +52-(55) 50353319  
 Website: www.modulbox.com.mx

Project:  
 Site:

Drawing: Sheet No:

Design: Check: Charged By:

Date: Scale: Job No:

© The Copyright of these plans & attached specification remain the property of Impulsora Integral Veracruz SA de CV Limited & must not be reused, amended or copied without permission.

Note:  
 Builder is responsible to check and verify all dimensions and details on site prior to commencement of any works or preparation of shop drawings. Report any discrepancies to the building designer and obtain a ruling before proceeding with works.

DETAIL	DATE

Description:



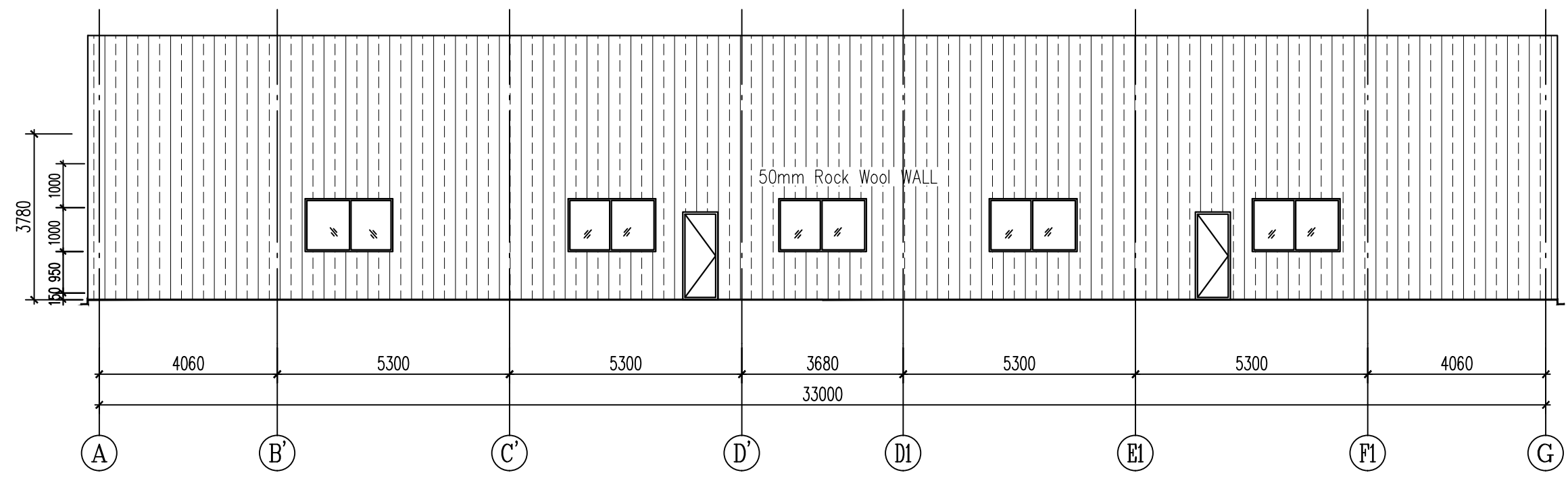
**MODULBOX**  
 Soluciones de espacio

Address: Homero 219 Piso 3-A Col. Polanco V  
 Seccion Delegacion Miguel Hidalgo Mexico D.F.  
 CP. 11560  
 Telephone: +52-(55) 50353319  
 Website: www.modulbox.com.mx

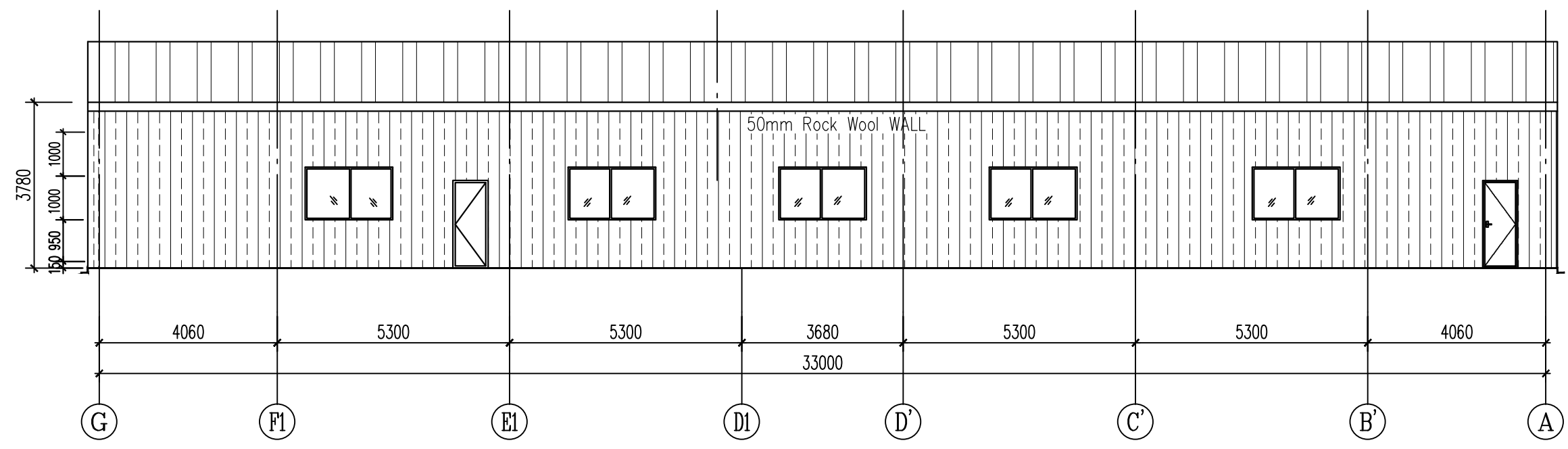
Project:  
 Site:

Drawing:	Sheet No:
Design:	Check:
Date:	Scale:
Charged By:	Job No:

© The Copyright of these plans & attached specification remain the property of Impulsora Integral Veracruz SA de CV Limited & must not be reused, amended or copied without permission.



1 VIEW

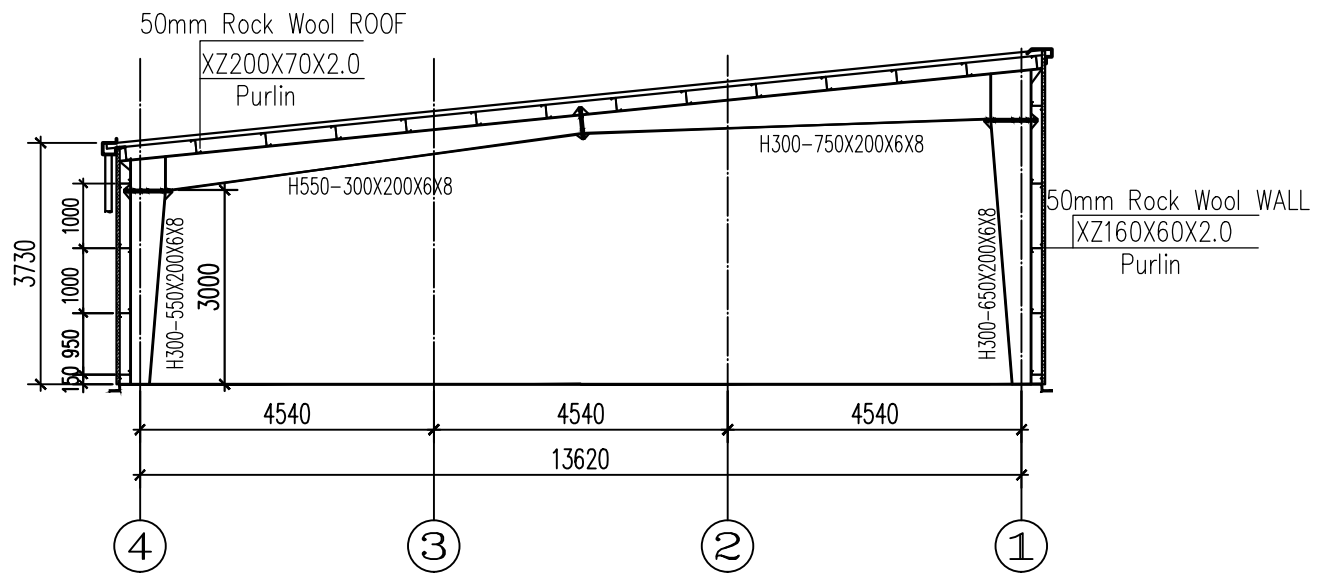


4 VIEW

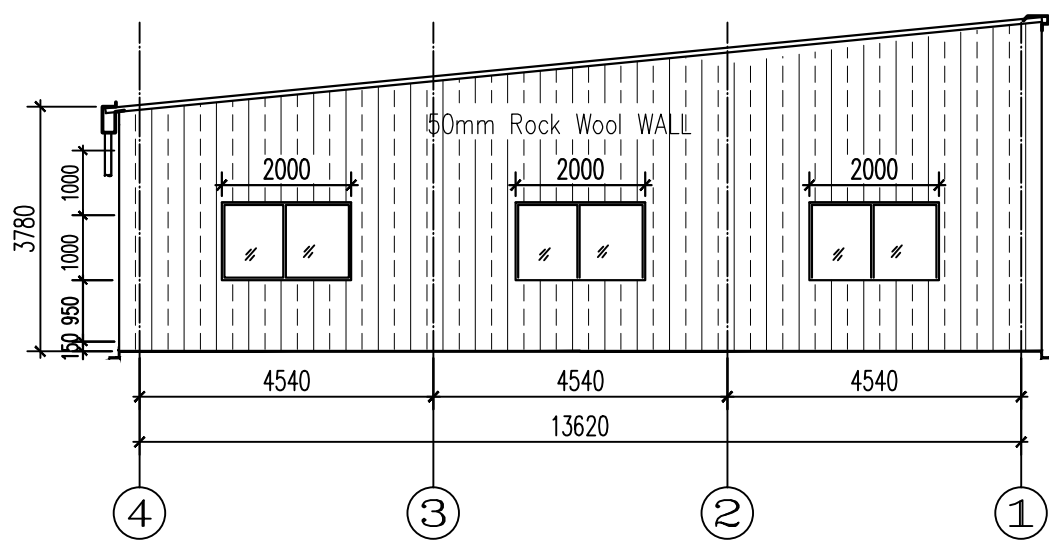
Note:  
 Builder is responsible to check and verify all dimensions and details on site prior to commencement of any works or preparation of shop drawings. Report any discrepancies to the building designer and obtain a ruling before proceeding with works.

DETAIL	DATE

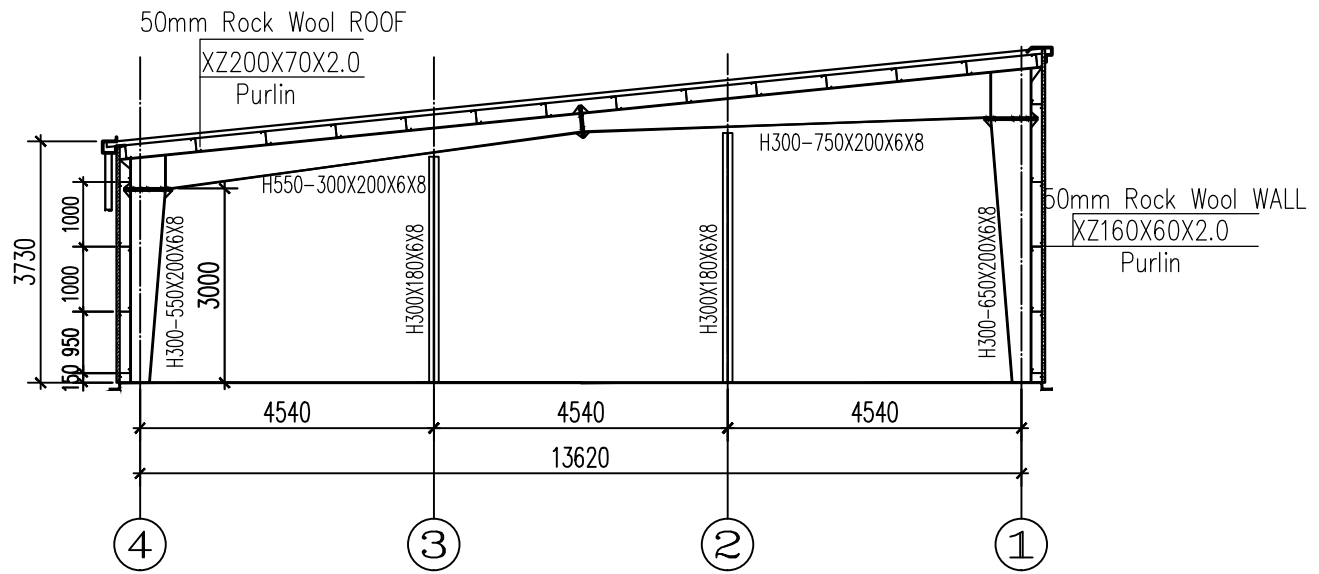
Description:



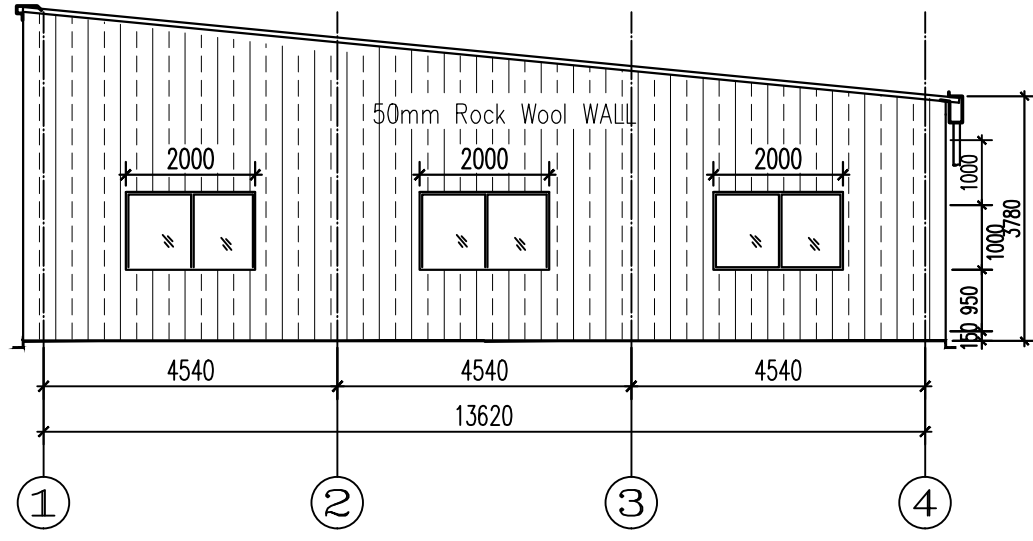
①①~ ①① SECTION



①① VIEW



①① ①① SECTION



①① VIEW



Address: Homero 219 Piso 3-A Col. Polanco V  
 Seccion Delegacion Miguel Hidalgo Mexico D.F  
 CP. 11560  
 Telephone:+52-(55) 50353319  
 Website:www.modulbox.com.mx

Project:

Site:

Drawing: Sheet No:

Design: Check: Charged By:

Date: Scale: Job No:

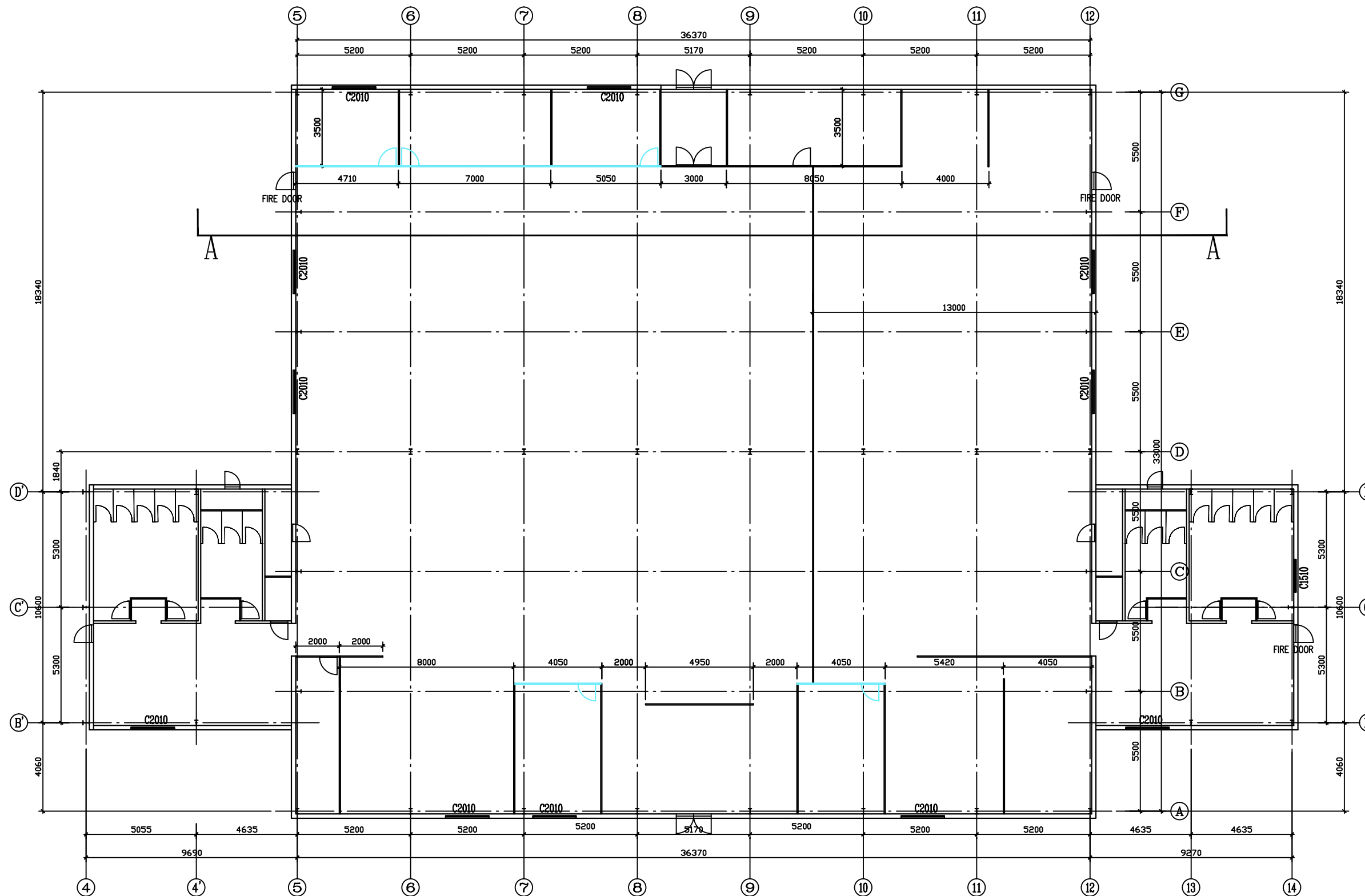
© The Copyright of these plans & attached specification remain the property of Impulsora Integral Veracruz SA de CV Limited & must not be reused, amended or copied without permission.



Note:  
 Builder is responsible to check and verify all dimensions and details on site prior to commencement of any works or preparation of shop drawings. Report any discrepancies to the building designer and obtain a ruling before proceeding with works.

DETAIL	DATE

Description:



FLOOR PLAN



**MODULBOX**  
 Soluciones de espacio

Address: Homero 219 Piso 3-A Col. Polanco V  
 Seccion Delegacion Miguel Hidalgo Mexico D.F.  
 CP: 11560  
 Telephone: +52(55) 50353319  
 Website: www.modulbox.com.mx

Project:  
 Site:

Drawing:	Sheet No:	
Design:	Check:	Charged By:
Date:	Scale:	Job No:

© The Copyright of these plans & attached specification remain the property of Impubora Integral Veracruz SA de CV Limited & must not be reused, amended or copied without permission.

Note:  
 Builder is responsible to check and verify all dimensions and details on site prior to commencement of any works or preparation of shop drawings. Report any discrepancies to the building designer and obtain a ruling before proceeding with works.

DETAIL	DATE

Description:



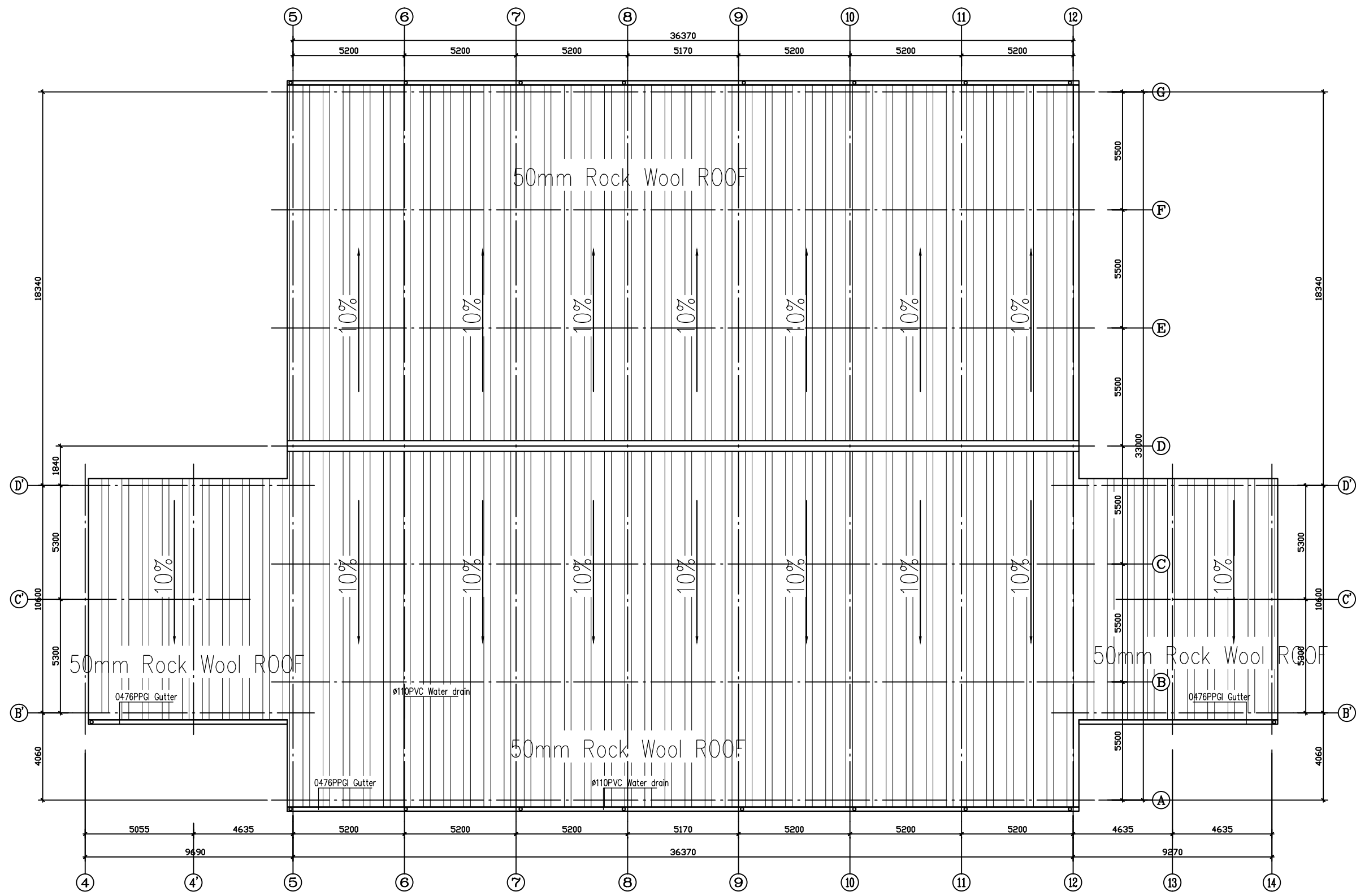
**MODULBOX**  
 Soluciones de espacio

Address: Homero 219 Piso 3-A Col. Polanco V  
 Seccion Delegacion Miguel Hidalgo Mexico D.F.  
 CP. 11560  
 Telephone: +52-(55) 50353319  
 Website: www.modulbox.com.mx

Project:  
 Site:

Drawing:	Sheet No:	
Design:	Check:	Charged By:
Date:	Scale:	Job No:

© The Copyright of these plans & attached specification remain the property of Impulsora Integral Veracruz SA de CV Limited & must not be reused, amended or copied without permission.



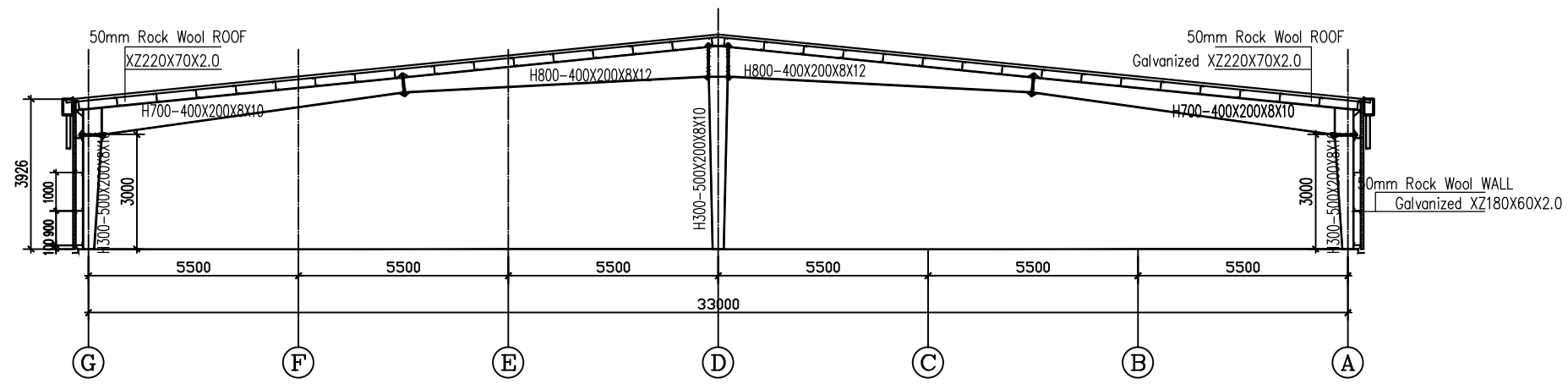
ROOF PLAN



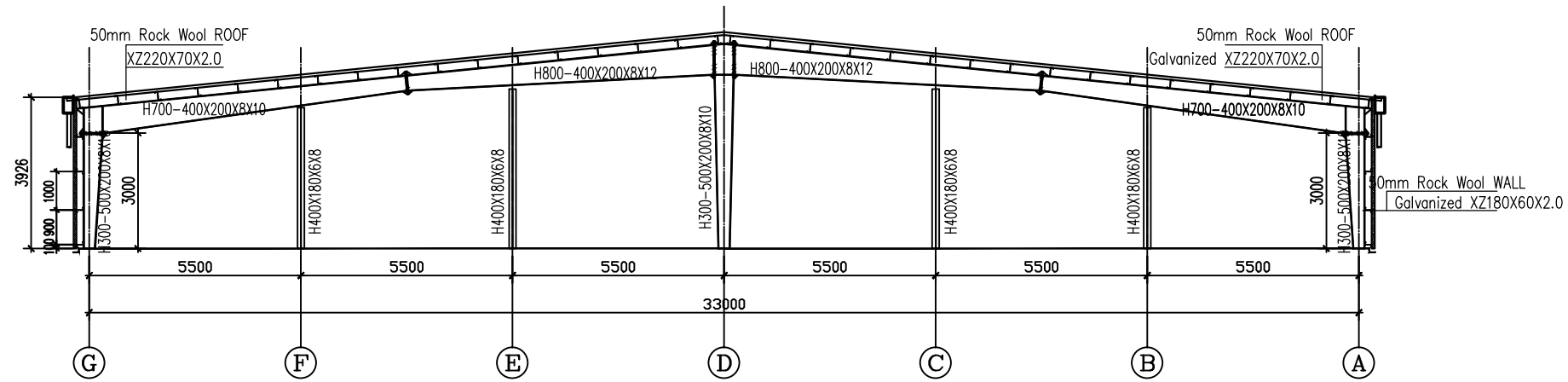
Note:  
 Builder is responsible to check and verify all dimensions and details on site prior to commencement of any works or preparation of shop drawings. Report any discrepancies to the building designer and obtain a ruling before proceeding with works.

DETAIL	DATE

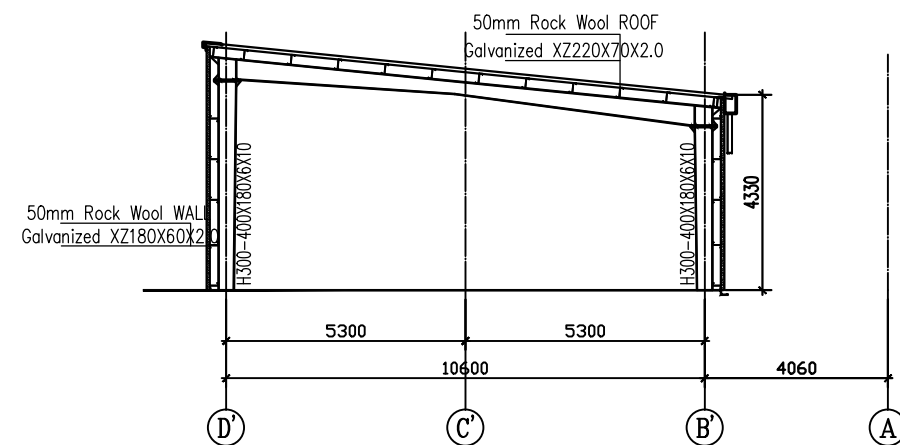
Description:



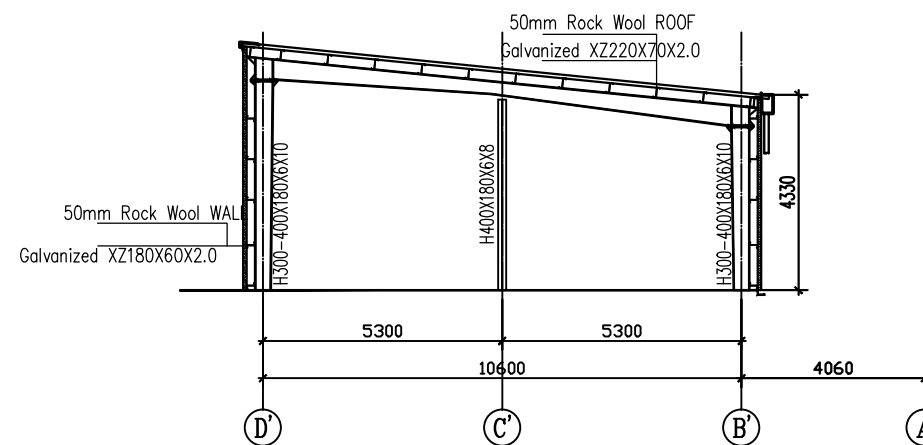
⑥~⑪ SECTION



⑤⑫ SECTION



④⑭ SECTION



④⑬ SECTION



Address: Homero 219 Piso 3-A Col. Polanco V  
 Seccion Delegacion Miguel Hidalgo Mexico D.F  
 CP. 11560  
 Telephone: +52-(55) 50353319  
 Website: www.modulbox.com.mx

Project:  
 Site:

Drawing: Sheet No:

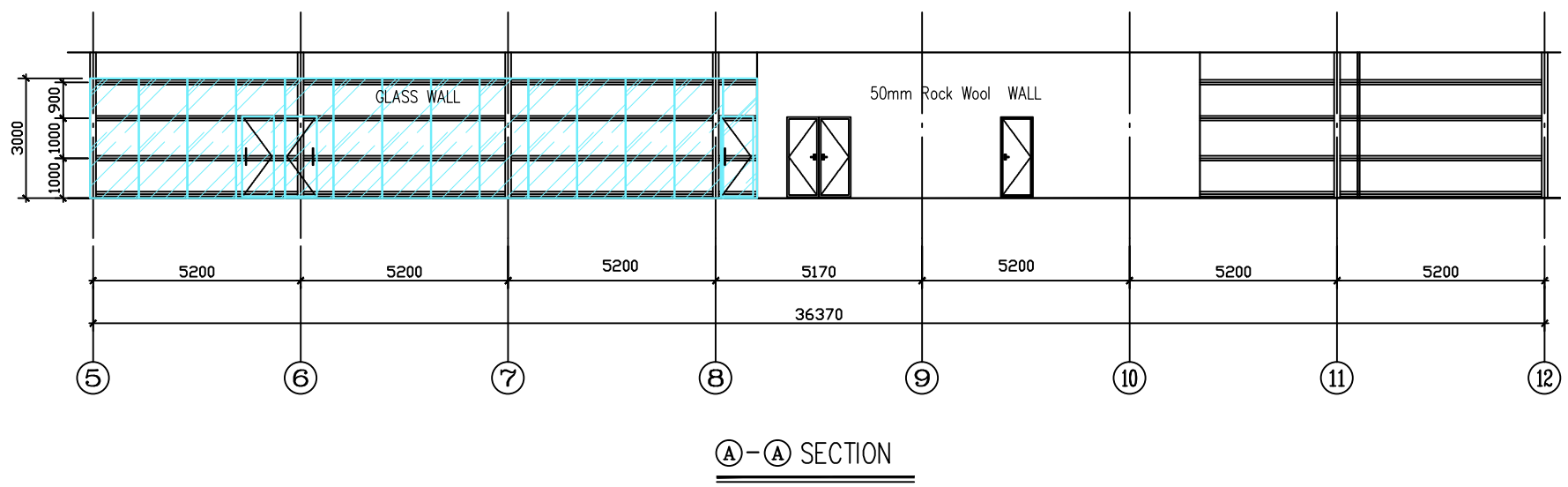
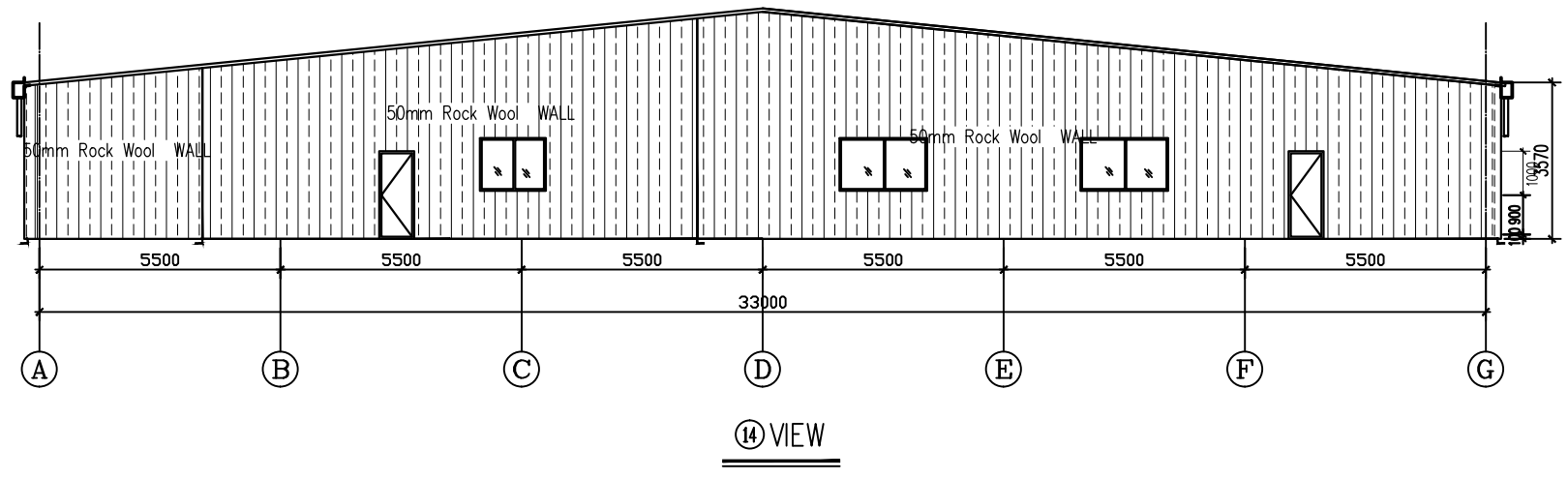
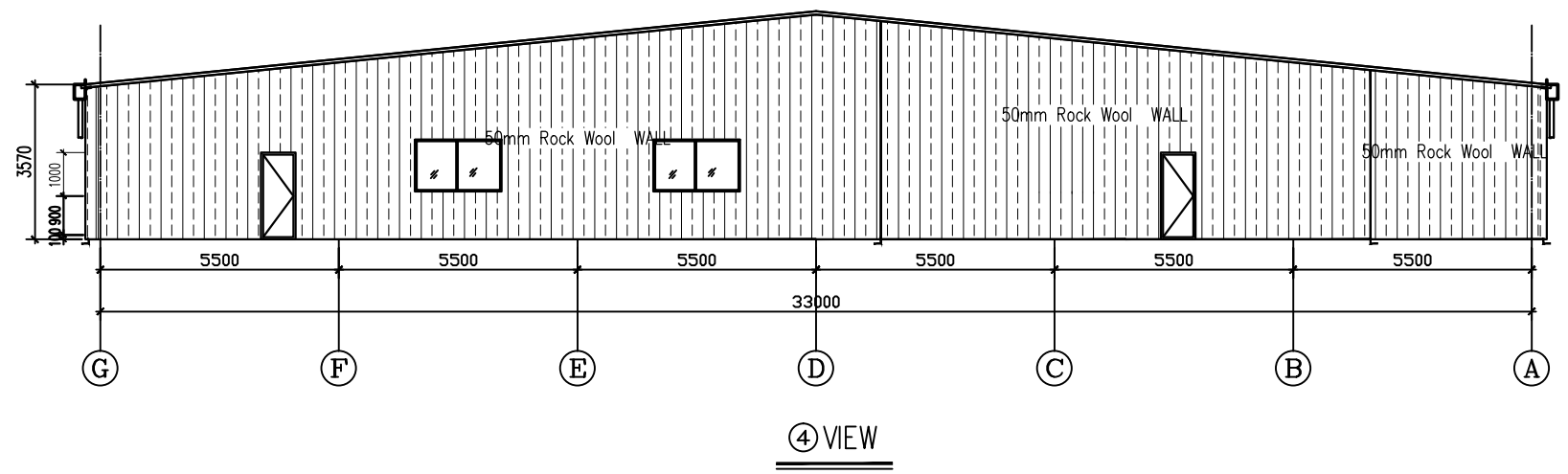
Design: Check: Charged By:  
 Date: Scale: Job No:

© The Copyright of these plans & attached specification remain the property of Impulsora Integral Veracruz SA de CV Limited & must not be reused, amended or copied without permission.

Note:  
 Builder is responsible to check and verify all dimensions and details on site prior to commencement of any works or preparation of shop drawings. Report any discrepancies to the building designer and obtain a ruling before proceeding with works.

DETAIL	DATE

Description:



Address: Homero 219 Piso 3-A Col. Polanco V  
 Seccion Delegacion Miguel Hidalgo Mexico D.F  
 CP. 11560  
 Telephone: +52-(55) 50353319  
 Website: www.modulbox.com.mx

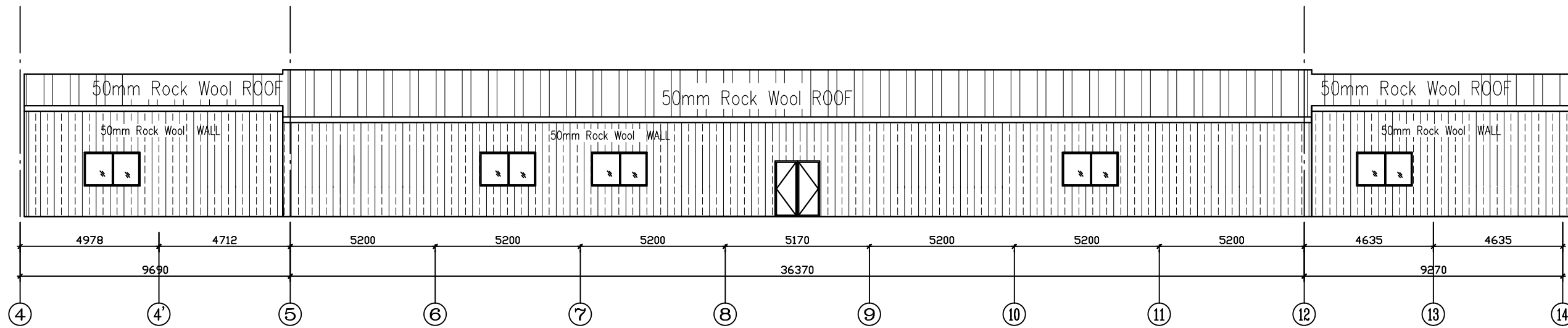
Project:		
Site:		
Drawing:	Sheet No:	
Design:	Check:	Charged By:
Date:	Scale:	Job No:

© The Copyright of these plans & attached specification remain the property of Impulsora Integral Veracruz SA de CV Limited & must not be reused, amended or copied without permission.

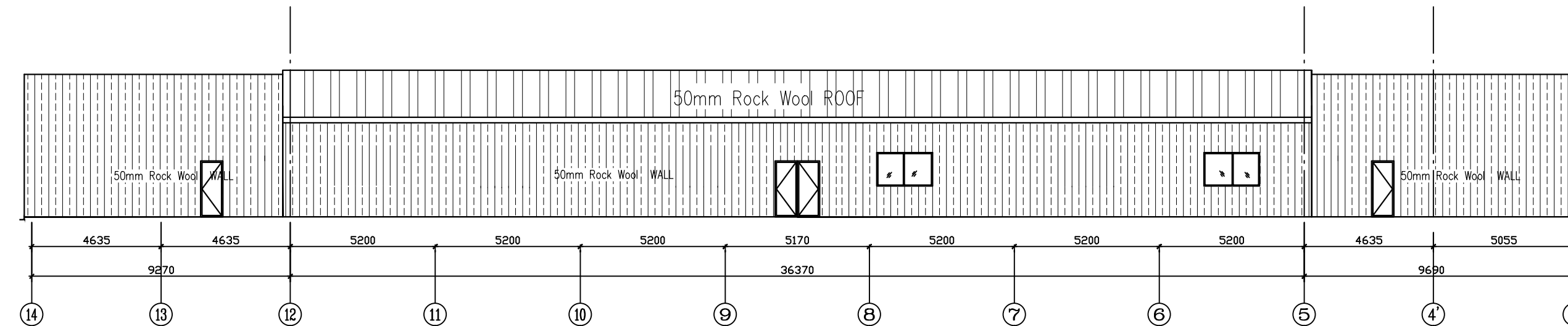
Note:  
 Builder is responsible to check and verify all dimensions and details on site prior to commencement of any works or preparation of shop drawings. Report any discrepancies to the building designer and obtain a ruling before proceeding with works.

DETAIL	DATE

Description:



A VIEW



C VIEW



Address: Homero 219 Piso 3-A Col. Polanco V Seccion Delegacion Miguel Hidalgo Mexico D.F CP. 11560  
 Telephone: +52-(55) 50353319  
 Website: www.modulbox.com.mx

Project:  
 Site:

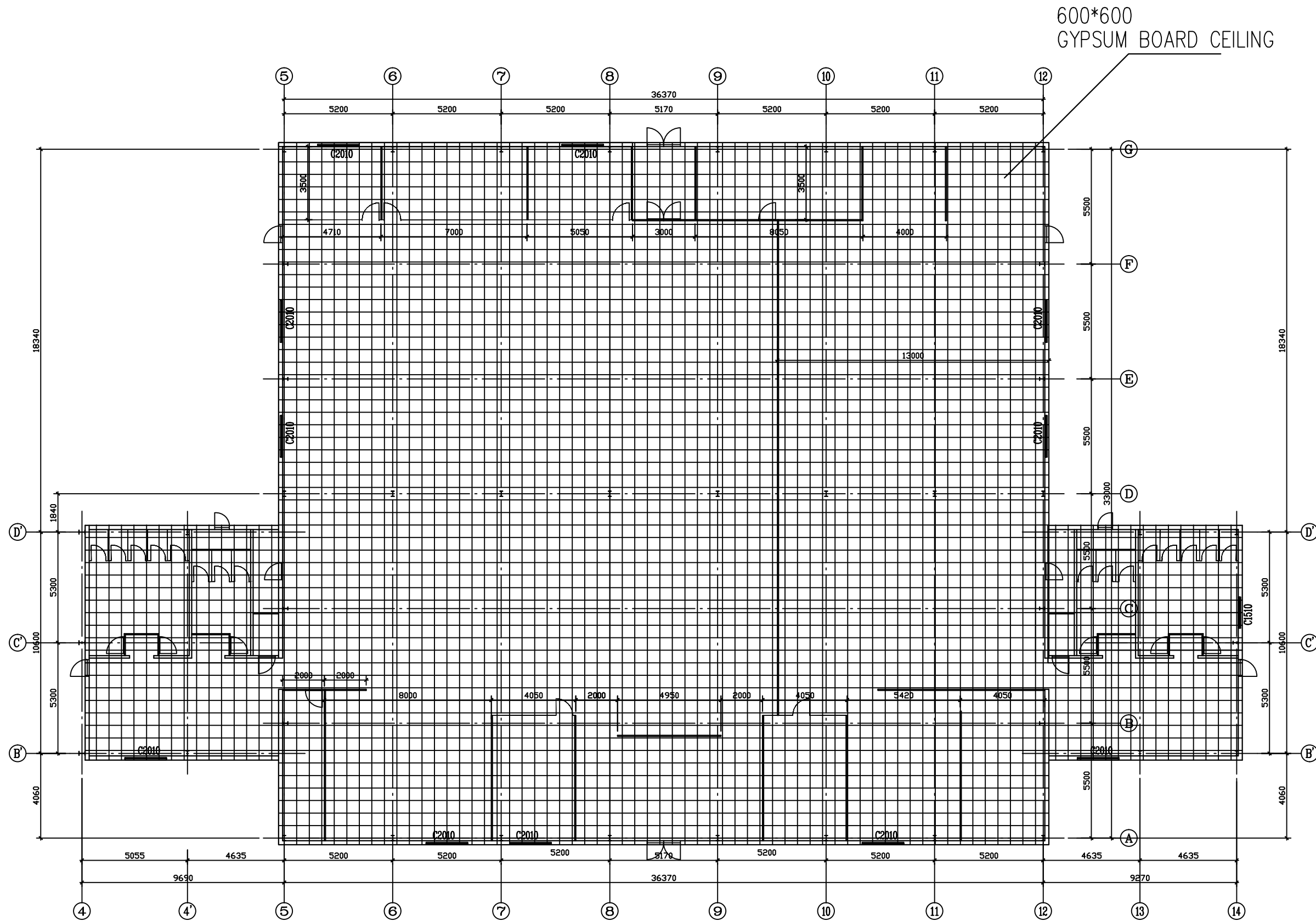
Drawing:	Sheet No:
Design:	Check:
Date:	Scale:
Charged By:	Job No:

© The Copyright of these plans & attached specification remain the property of Impubora Integral Veracruz SA de CV Limited & must not be reused, amended or copied without permission.

Note:  
 Builder is responsible to check and verify all dimensions and details on site prior to commencement of any works or preparation of shop drawings. Report any discrepancies to the building designer and obtain a ruling before proceeding with works.

DETAIL	DATE

Description:



CEILING PLAN



Address: Homero 219 Piso 3-A Col. Polanco V  
 Seccion Delegacion Miguel Hidalgo Mexico D.F  
 CP: 11560  
 Telephone: +52-(55) 50353319  
 Website: www.modulbox.com.mx

Project:  
 Site:

Drawing: Sheet No:

Design:	Check:	Charged By:
Date:	Scale:	Job No:

© The Copyright of these plans & attached specification remain the property of Impulsora Integral Veracruz SA de CV Limited & must not be reused, amended or copied without permission.

Note:  
 Builder is responsible to check and verify all dimensions and details on site prior to commencement of any works or preparation of shop drawings. Report any discrepancies to the building designer and obtain a ruling before proceeding with works.

DETAIL	DATE

Description:



Address: Homero 219 Piso 3-A Col. Polanco V  
 Seccion Delegacion Miguel Hidalgo Mexico D.F  
 CP. 11560  
 Telephone: +52-(55) 50353319  
 Website: www.modulbox.com.mx

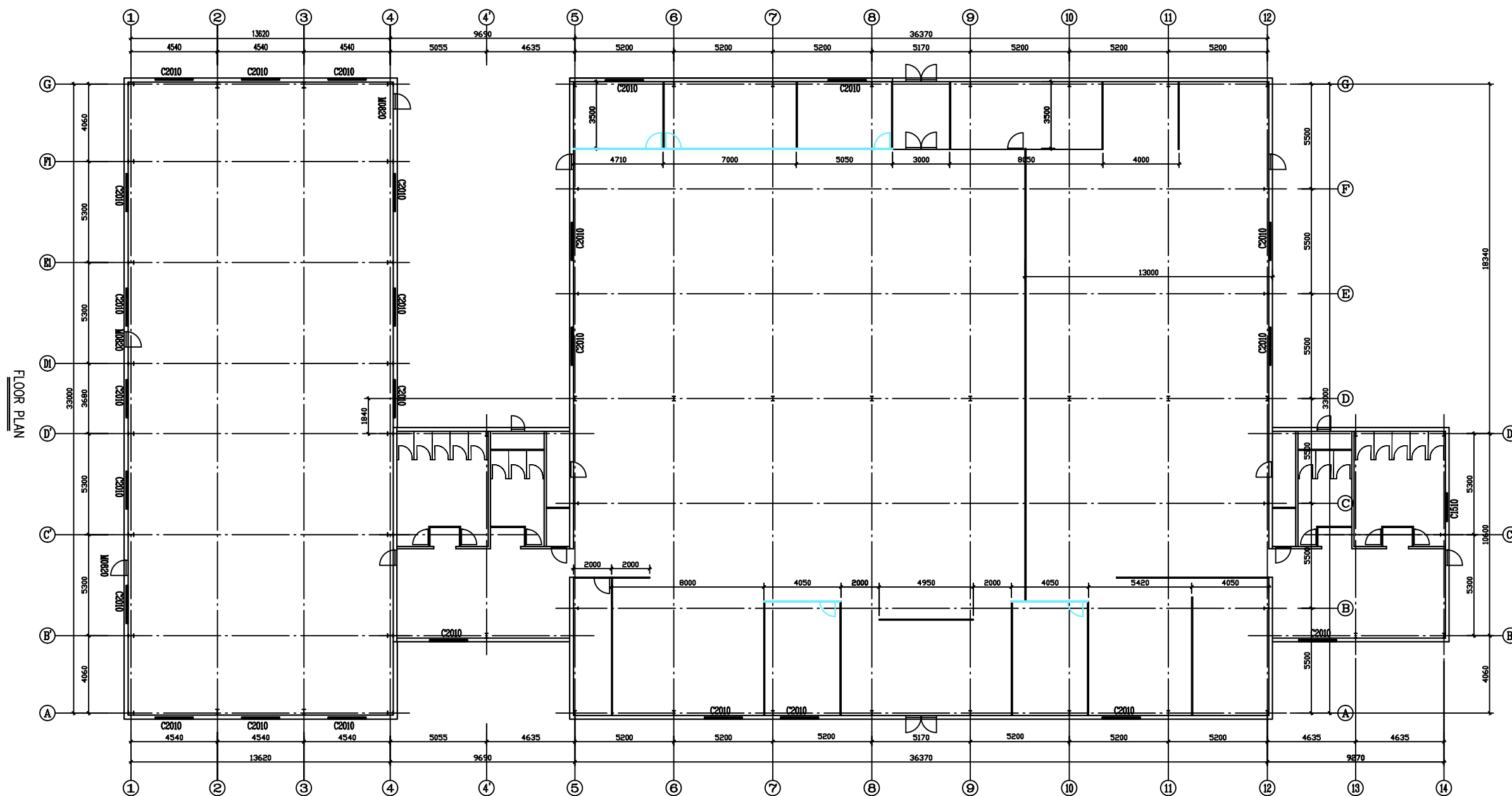
Project:  
 Site:

Drawing: Sheet No:

Design: Check: Charged By:

Date: Scale: Job No:

© The Copyright of these plans & attached specification remain the property of Impulsora Integral Veracruz SA de CV Limited & must not be reused, amended or copied without permission.

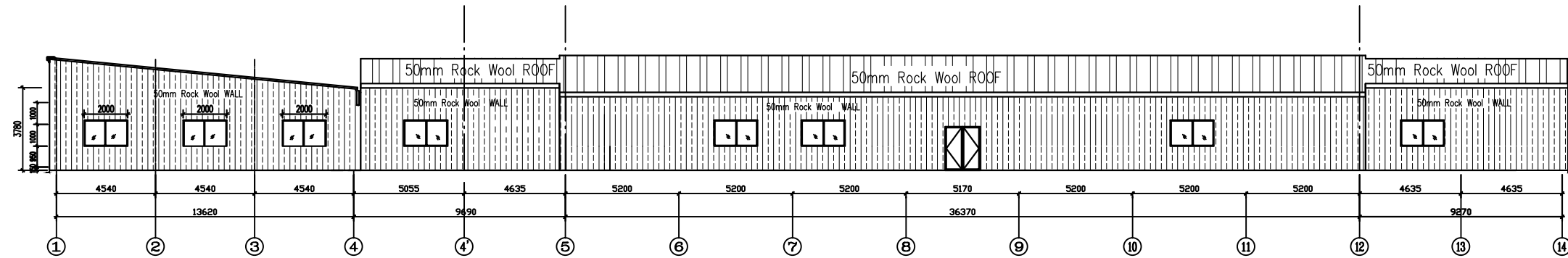


FLOOR PLAN

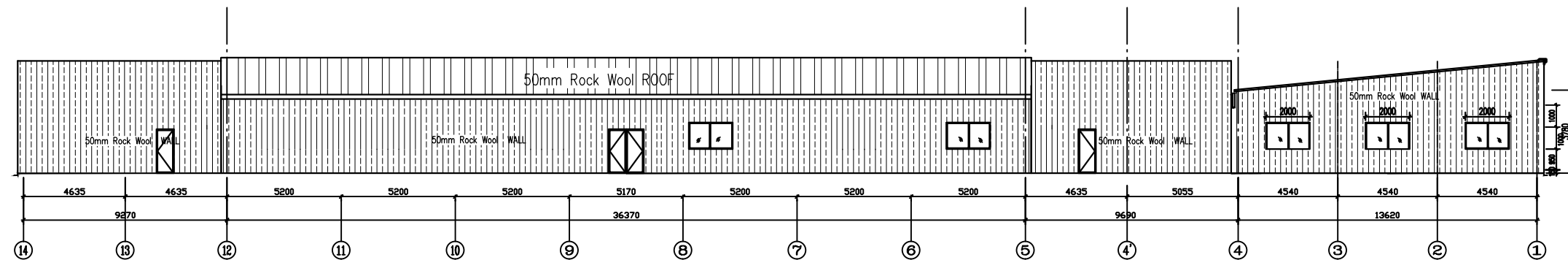
Note:  
 Builder is responsible to check and verify all dimensions and details on site prior to commencement of any works or preparation of shop drawings. Report any discrepancies to the building designer and obtain a ruling before proceeding with works.

DETAIL	DATE

Description:



A VIEW



G VIEW



Address: Homero 219 Piso 3-A Col. Polanco V  
 Seccion Delegacion Miguel Hidalgo Mexico DF  
 CP: 11560  
 Telephone: +52-(55) 50353319  
 Website: www.modulbox.com.mx

Project:  
 Site:

Drawing: Sheet No:

Design: Check: Charged By:

Date: Scale: Job No:

© The Copyright of these plans & attached specification remain the property of Impubora Integral Veracruz SA de CV Limited & must not be reused, amended or copied without permission.